



2x2 OPTICAL PROTECTION SWITCH



DUAL FIBER

PART # (AS PICTURED): FMC-S355-N990-LP-R2*



SINGLE FIBER

PART # (AS PICTURED): FMC-1S355-N990-LP-R2*

*PROTECT YOUR NETWORK
DURING A POWER LOSS*

*FOR FULL CUSTOMIZABLE OPTIONS, CONSULT THE ORDERING GUIDE ON PAGE 4.

KEY FEATURES AND BENEFITS

Raise your network's IQ with Champion ONE's Intelliport™ optical networking products. From electric-to-optical media conversion and optical media extenders, to switches that protect your signal, to Smart Transceivers that allow you to actively monitor data transmission, Intelliport covers everything you need to make your network bigger, stronger, and smarter.

Champion ONE's 2x2 Optical Protection Switch is an ideal component for monitoring and protecting OADM and OXC systems during power loss. For additional network continuity, operators can select a delay of up to 120 or 180 seconds before the switch resumes its normal mode after power loss to enable the switch to fully power on before resuming network traffic. Our switches offer high performance and low insertion loss in an efficient package that enables painless integration into high-density optical communication systems. Switches are available in both dual and single fiber versions.

These switches are housed in a LGX enclosure and can fit in a 1RU faceplate (sold separately), which holds up to three LGX modules.

TECHNICAL SPECIFICATIONS (DUAL AND SINGLE FIBER)

STANDARDS AND REGULATORY COMPLIANCE

RoHS compliant

DIMENSIONS AND WEIGHT

130.0mm x 130.0mm x 30.0mm (LxWxH); 510g

OPERATING/STORAGE TEMPERATURE RANGE

-20 to 70°C / -40 to 85°C

WARRANTY

All feature a limited 1-year warranty

NOTES

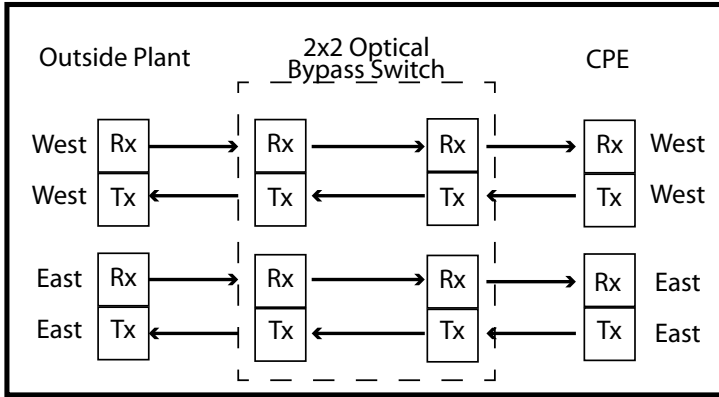
For part numbering schemes and ordering information, consult "Ordering Guide" on page 4.

Parameters (units)	Dual and Single Fiber	
	Multi-Mode	Single-Mode
Wavelength Range (nm)*	850	1260-1650
Insertion Loss (dB)	0.8 (typical) 1.2 (maximum)	0.6 (typical) 1.0 (maximum)
Return Loss (dB)	≥30	≥50
Crosstalk (dB)	≥30	≥50
PDL / WDL / TDL (dB)	≤0.05 / ≤0.25 / ≤0.25	
Repeatability (dB)	≤0.02	
Power Supply (V)*	3.0 or 5.0	
Lifetime (times)	≥10 ⁷	
Switch Time (ms)	≤8	
Delay Time, Resume Normal Mode (s)*	0, 60, 120 (selectable via DIP switch) 0, 120, 180 (selectable via DIP switch)	
Transmission Power (mW)	≤500	
Control Type*	Latching or Non-Latching	
Fiber Diameter (µm)*	250 or 900	

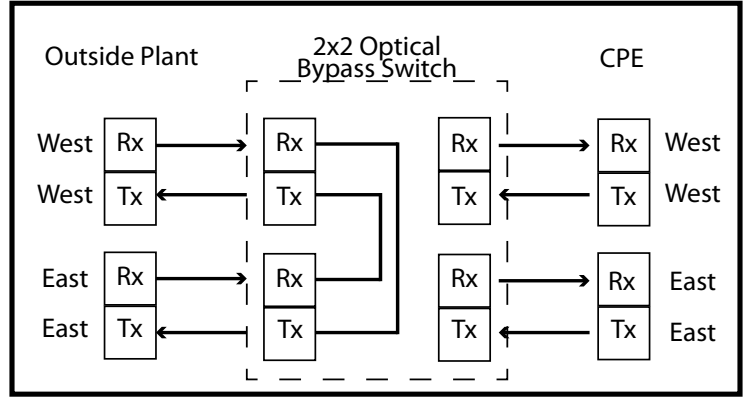
* Selectable via ordering guide on page 4.

DUAL FIBER 2X2 OPTICAL SWITCH

Normal Mode

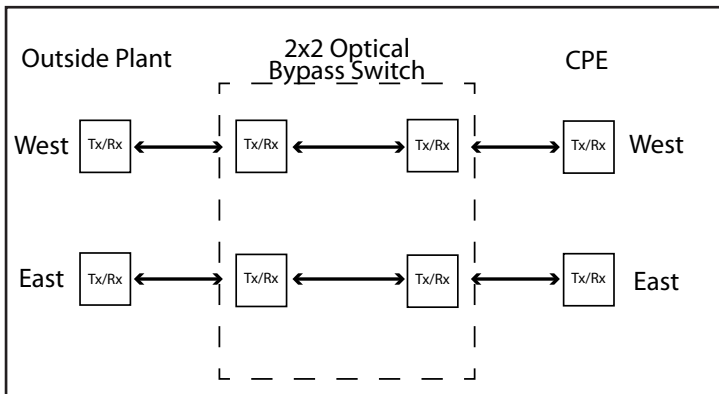


Bypass Mode

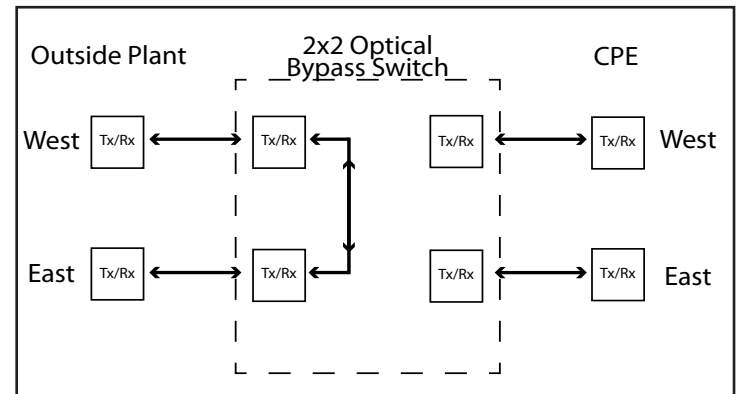


SINGLE FIBER 2X2 OPTICAL SWITCH

Normal Mode



Bypass Mode



ORDERING GUIDE

Dual Fiber Part Numbering Scheme:

FMC- MWWV-TFDD-CC(-R2)

Single Fiber Part Numbering Scheme:

FMC-1MWWV-TFDD-CC(-R2)

M	Mode
M	Multi-mode
S	Single-mode

V	Voltage
3	3.0V
5	5.0V

DD	Fiber Diameter
25	250µm
90	900µm

R2	Delay Time
(N/A)	0, 60, 120 seconds
-R2	0, 120, 180 seconds

WW	Wavelength (nm)
85	850
31	1310
49	1490
55	1550
62	1625
65	1650
35	1310/1550

T	Control Type
L	Latching
N	Non-Latching

CC	Connector
OO	None
FP	FC/PC
FA	FC/APC
SP	SC/PC
SA	SC/APC
TP	ST/PC
TA	ST/APC
LP	LC/PC
LA	LC/APC

F	Fiber Type
5	50/125
6	62.5/125
9	9/125

ACCESSORIES

1 RU Faceplate with 3 LGX slots (ordered separately from switch)



Part Number:

FMC-1U3L

Dimensions (mm):

482.6 (width) x 44 (height)

SERVICE AND SUPPORT

Running a network or selling network services and products can be a highly competitive endeavor. To help differentiate your business and enable you to provide more cost effective infrastructure, you require a partner that provides competitive pricing and vertical market expertise. At Champion ONE we understand your needs. We leverage our skills and relationships to:

- Provide network design services and help you explore alternative network designs
- Provide technical and sales support when you need it
- Accept orders for same day shipment up to 3:00 PM EST
- Offer one of the longest warranties in the industry on all products
- Offer a 30-day return policy
- Build a long-term supplier partnership with you

You can rely on Champion ONE, not only for the highest levels of availability for the products you need, but the technical support, customer service and cost consideration you deserve. Our goal is your complete satisfaction.

THE CHAMPION ONE COMMITMENT



For over 25 years, we at Champion ONE have been delivering great value to our customers through high-quality products at competitive prices. As one of the leading suppliers of compatible optical transceivers and a major supplier of optical networking solutions, we take great pride in building long-term relationships as a trusted partner. In this spirit, everything we bring to market bears the Champion ONE Shield™, which strengthens this trust through five core promises: Performance, Availability, Compatibility, Protection, and Value.

GLOBAL HEADQUARTERS

Champion ONE
 23645 Mercantile Road
 Cleveland, OH 44122
 Phone: 800-860-7466
 Fax: 216-831-2541
 e-mail: sales@championone.com
www.championone.com

Product photos are representative samples only.

Champion ONE and the Champion ONE logo are registered trademarks of Champion Optical Network Engineering, LLC. All other trademarks, service marks, registered marks, or registered service marks are the property of their respective owners. Champion ONE assumes no responsibility for any inaccuracies in this document. Champion ONE reserves the right to change, alter, or otherwise revise this document without notice.

1.26.2017 – REV 6.1